



Metrotile Roman



Metrotile[®]
worldwide roofing systems

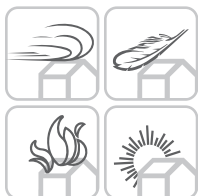
An authentic Mediterranean look for your home.

Metrotile Roman tiles have been designed to imitate the look of traditional natural clay roof tiles to give your home an authentic Mediterranean feel. Metrotile Roman tiles with their distinctive shape and pronounced profile are unique among stone-coated steel tiles. A heart of Aluzinc[®] or equivalent/ similar coated steel with advanced stone granule coating guarantees optimal protection for your home.

Metrotile Roman is available in a wide selection of colours. True elegance without the inherent weight and cost.

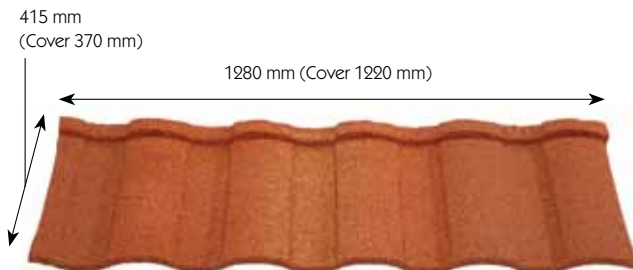
PRODUCT
QUALITY
100%
GUARANTEED

Weatherproof
guarantee
of a
lifetime



Metrotile Roman

Lightweight high grade steel with Aluzinc® or similar/equivalent coating for incredible strength and resistance.



Specifications

Minimum pitch	10°
Maximum pitch	90°
Size of tile - overall	1280 x 415 mm
Size of tile - cover	1220 x 370 mm
Gauge of steel	0.450 mm
Linear cover width	1220 mm
Coverage	0.45 m ² (2.22 tiles per m ²)
Weight per m ²	6.3 kg
Weight per tile	2.8 kg
Colours	The available standard colours are Charcoal, Terracotta, Red, Black, Greenstone, Coffee, Walnut, Tuscany, Brindle, Antique red, Antique grey, Rustic,... Also other colours available to order (ask your dealer for more information).

Properties



Lightweight

Light and easy to handle and install.



Durable

Colour stability and protects against UV light.



Stable

Resistance to extreme wind or earthquakes.



Strong

Exceptional strength and resistant to damage.

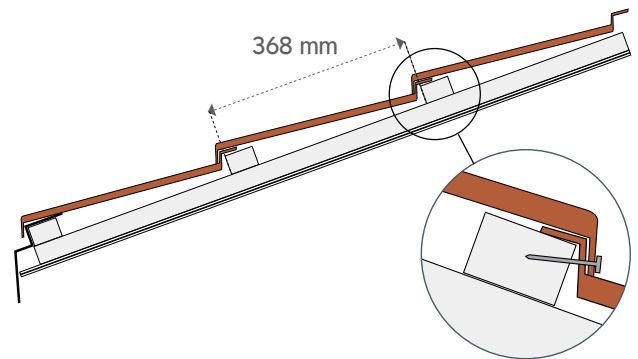


Fire proof

To be conform with the European standards

Installation of the tiles

The Metrotile Roman five tile panels can be interlocked either right over left or left over right with the side laps of one small corrugation.



The panels are placed onto battens spacing 368 mm.

The downturned front edge and the upturned rear edge of each tile provides a strong, weatherproof, overlapping and interlocking roof covering. Each panel is secured by nails in the front downturned edge into the side of the batten, positioned out of the water course.

Each panel or accessory can be cut or bent in the shape of the roof. It is important to use tools recommended by Metrotile.

Accessories

Metrotile offers a broad choice of accessories that fully integrate with the Metrotile Roman profile.

• Ridges, junctions and end caps.

For use on ridges and hips in angle, square, rounded shape.

• Barges, flashings and finishings.

For roof covering at foot, gables, verges, barges, against walls.

• Other accessories.

Like ventilation systems, roof windows, light tubes, integrated solar panels, clear tiles,...

• Installation equipment.

Everything you need for installation: nails, benders, guillotines,...

For a complete and detailed list of accessories and more information regarding the installation of a Metrotile roof, contact your dealer.